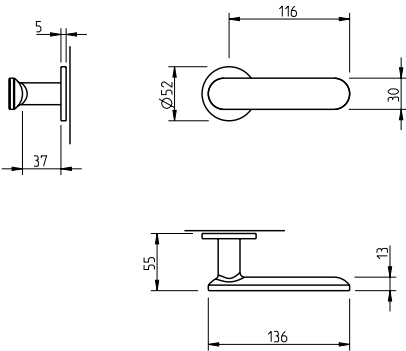


REF. 4158 5S



**Descrição**

Puxador par  
Mola recuperadora  
Ferro quadrado de 8x90mm  
Fixação da muleta com perno M6 oculto

**Description**

Lever set  
Recovery spring  
8x90mm square spindle  
Handle fixed by a M6 grub screw

**Matéria Prima**

Zamak ZnAl4Cu1 / EN1774

**Raw Material**

Zamak ZnAl4Cu1 / EN1774

**EN 1906**

2	7	-	0	0	4	0	B
---	---	---	---	---	---	---	---

(acabamentos / finishes 152 - 153)

2	7	-	0	0	3	0	B
---	---	---	---	---	---	---	---

(acabamentos / finishes 141 - 142)

3	7	-	0	0	4	0	B
---	---	---	---	---	---	---	---

(acabamentos / finishes 96)