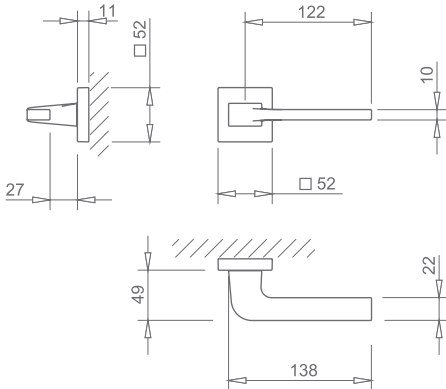


REF. 3097 Q



-   
**(96)**  
 cromado satinado  
 satin chrome
-   
**(141)**  
 titân  
 titan
-   
**(142)**  
 níquelado pérola  
 nickel pearl
-   
**(152)**  
 branco pérola  
 white pearl
-   
**(153)**  
 preto pérola  
 black pearl

**Descrição**

Puxador par  
Mola recuperadora  
Ferro quadrado de 8x100mm  
Fixação da muleta com perno M6 oculto

**Description**

Lever set  
Recovery spring  
8x100mm square spindle  
Handle fixed by a M6 grub screw

**Matéria Prima**

Zamak ZnAl4Cu1 / EN1774

**Raw Material**

Zamak ZnAl4Cu1 / EN1774

**EN 1906**

2	7	-	0	0	4	0	B
---	---	---	---	---	---	---	---

(acabamentos / finishes 152 - 153)

3	7	-	0	0	4	0	B
---	---	---	---	---	---	---	---

(acabamentos / finishes 96)

2	7	-	0	0	3	0	B
---	---	---	---	---	---	---	---

(acabamentos / finishes 141 - 142)