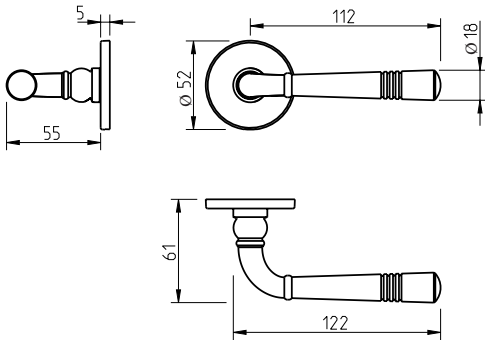


REF. 4009 5S



(01)
latão polido brilhante
polished brass



(03)
cromado brilhante
bright chrome



(96)
cromado satinado
satin chrome



(153)
preto pérola
black pearl



(158)
purist brass
purist brass

Descrição

Puxador par
Adaptador com sistema "click"
Mola recuperadora
Ferro quadrado de 8x90mm
Fixação da muleta com perno M6 oculto

Description

Lever set
Mechanism with "click" system
Recovery spring
8x90mm square spindle
Handle fixed by a M6 grub screw

Matéria Prima

Latão CW617N

Raw Material

Brass CW617N

EN 1906

2	7	-	0	0	4	0	B
---	---	---	---	---	---	---	---

(acabamentos / finishes 01 - 03 - 153)

3	7	-	0	0	4	0	B
---	---	---	---	---	---	---	---

(acabamentos / finishes 96)

2	7	-	0	0	3	0	B
---	---	---	---	---	---	---	---

(acabamentos / finishes 158)